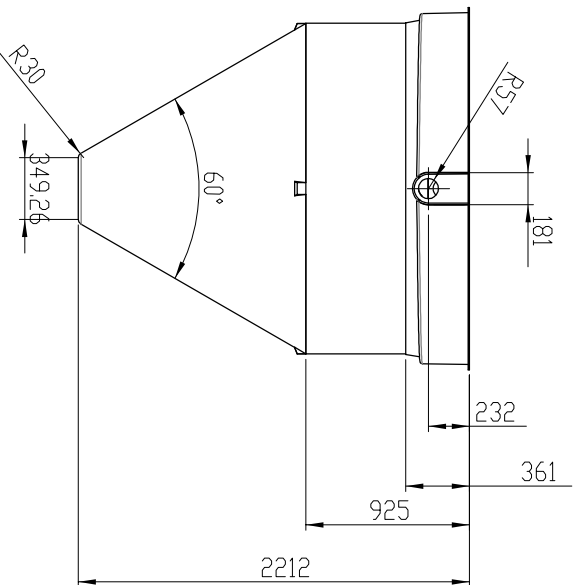
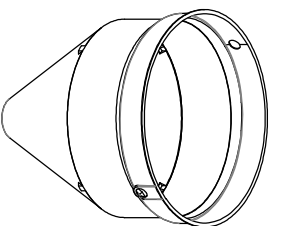
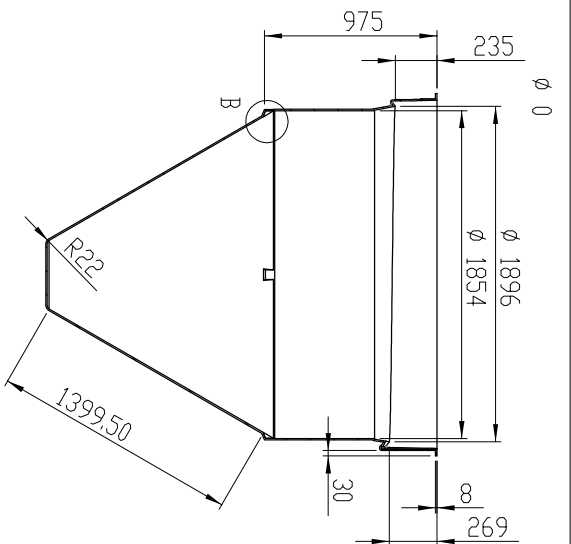
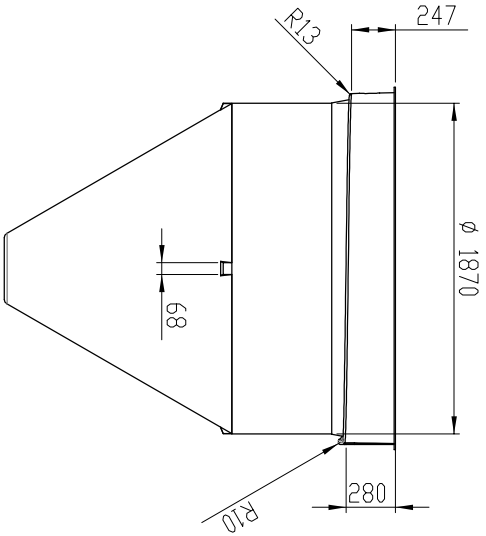
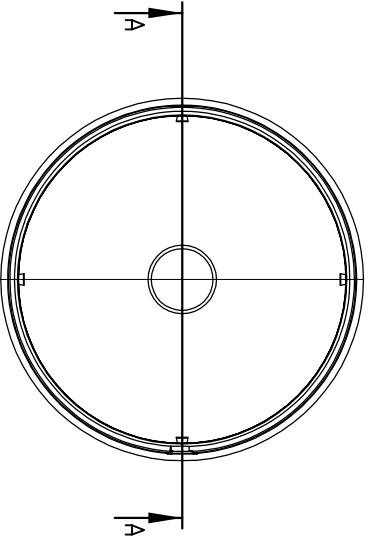
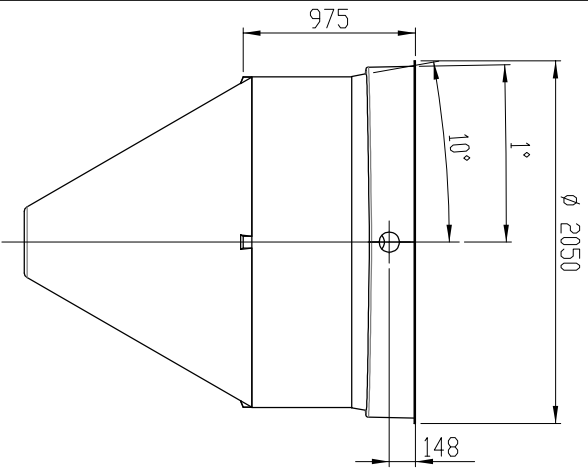


DETAIL B
SCALE 1 : 15



ISSUE	DATE	CHANGE	NAME
A	07/07/11	NEW DRAWING	PB

UNLESS OTHERWISE SPECIFIED,
DIMENSIONS ARE IN MILLIMETERS
SURFACE FINISH
TOLERANCES:
LIMBS ±
HOLE ±
MATERIAL

NAME	DATE	DESCRIPTION
PB	07/07/11	DRAWN
PB		CHK'D
PB	07/07/11	DESIGN

© This drawing is the copyright of WPL Ltd
WPL LIMITED
1 & 2 ASTON ROAD
WATERLOOVILLE
HAMPSHIRE
PO7 7JX
TEL: (02392) 242600
FAX: (02392) 242624
e-mail: engineering@wpl.co.uk

FINISH	DWG NO	SCALE	SHEET 1 OF 1	REV
--	DD-652-505	1:30		A

TITLE
DIAMOND 'C' CARCASS

